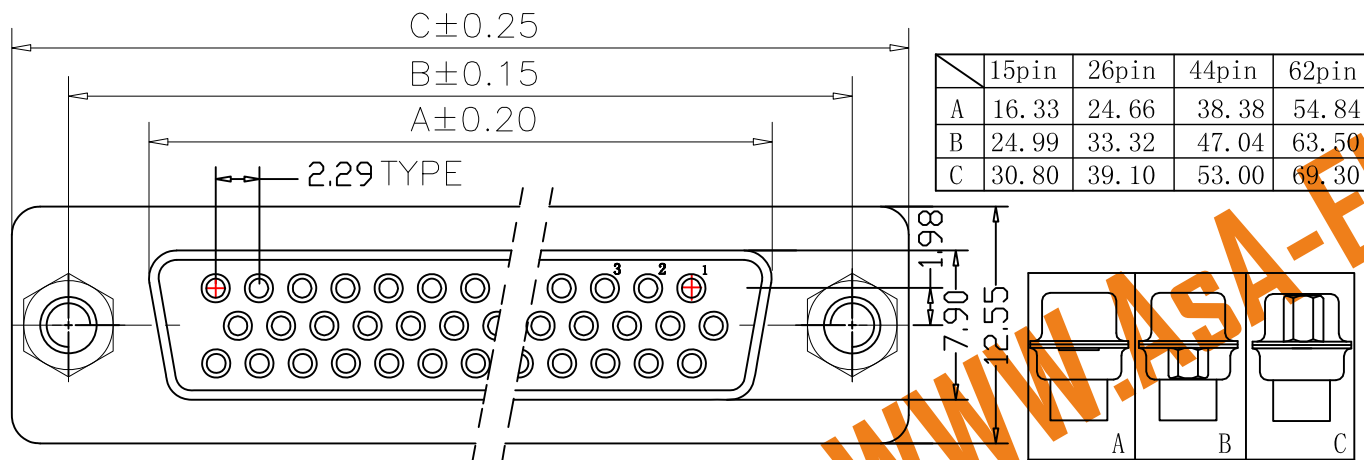


D-SUB Femaile Three Row Crimp Type(stamped Pin)

ROHS COMPLIANT



Material (材料):

Housing(塑胶): Temperature Thermoplastics, PBT+G. F UL 94V-0
 Contact(端子): Brass or Bronze
 Shell(壳): 0.35T Steel Nickel Plating All Area

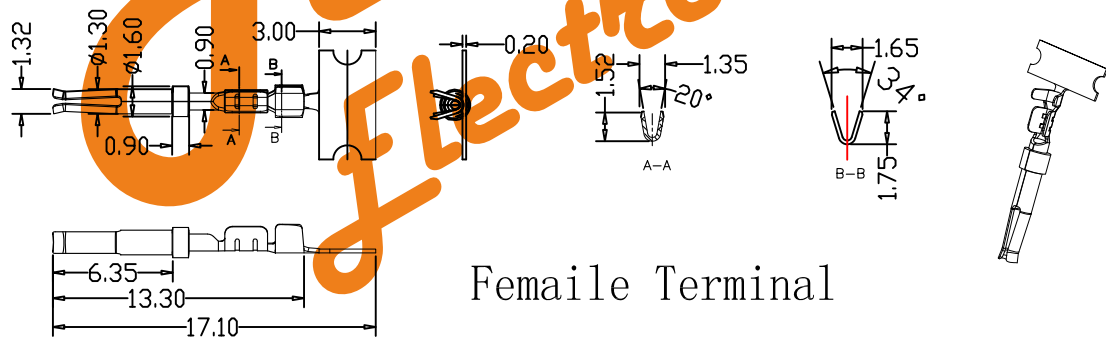
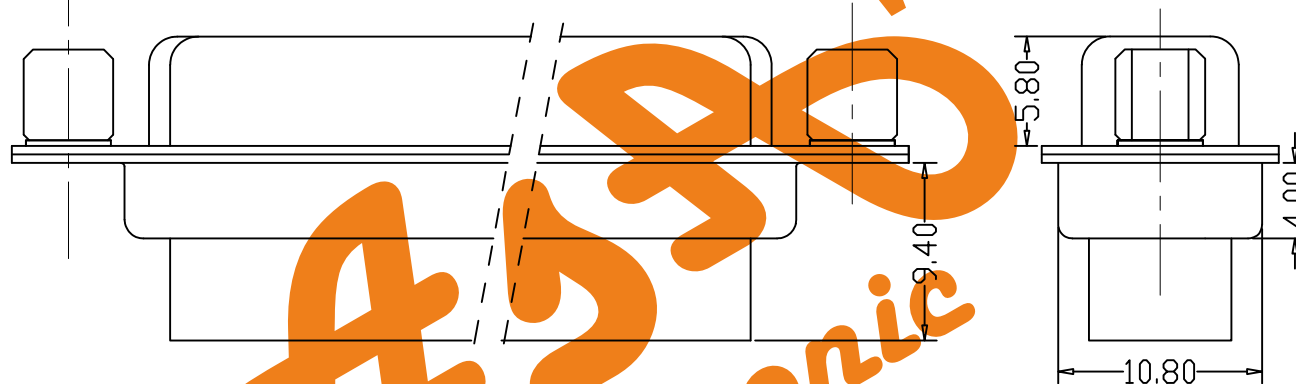
Electical Characteristics(电气性能):

Current Rating(额定电流): 5A
 Contact Resistance(接触阻抗): 20 milliohms Max
 Withstanding Voltage(耐电压): 500V AC For 1 Minute
 Insulation Resistance(绝缘阻抗): 1000 Megohms Min
 Operating Temperature:(温度范围): -55° C to +105° C

Ordering Code:

HDC01 - F - X - A - 0 - B - S
 ① ② ③ ④ ⑤ ⑥ ⑦

- ① Three Row Crimp Type
- ② Contact Type:
F:Femaile
- ③ Contact NO. :
15=15pin 26=26pin
44=44pin 62=62pin
- ④ Mounting Option:
A: No accessories
B: Rear Rivet
C: Front Rivet
- ⑤ Accessories:
0:Non Accessories
A: Zinc alloy 4.8mm Nickel
A1:Zinc alloy 5.8mm Nickel
B: Iron 4.8mm Nickel
B1:Iron 5.8mm Nickel
C: Copper alloy 4.8mm Nickel
C1:Copper alloy 5.8mm Nickel
D: Copper screw 4.8mm Nickel
D1:Copper screw 5.8mm Nickel
- ⑥ Color Code:
W:White L:Blue
B:Black G:Grey
- ⑦ Contact Plating
S: Selective Gold
G0: Gold flash G1: 3u" Gold
G2: 5u" Gold G3: 10u" Gold
G4: 15u" Gold G5: 30u" Gold



Femaile Terminal

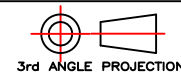
Unless Otherwise specified tolerance

X±0.35
 X.X±0.25
 X.XX±0.20
 X.XXX±0.15

SCALE: 1:1 UNIT: mm

DRAWN: junfon H

CHECKED: YANG



AsA Electronic Co.

Tel : (+98) 21 66 73 56 82 Mob : (+98) 912 03 161 02

DATE

TITLE: D-SUB Femaile Three Row Crimp Type (stamped Pin)

DRAWING NO: HDC01-FXXXXX

PRODUCT NO: HDC01-FXXXXX

REV	DESCRIPTION	DATE
1		11/3/1